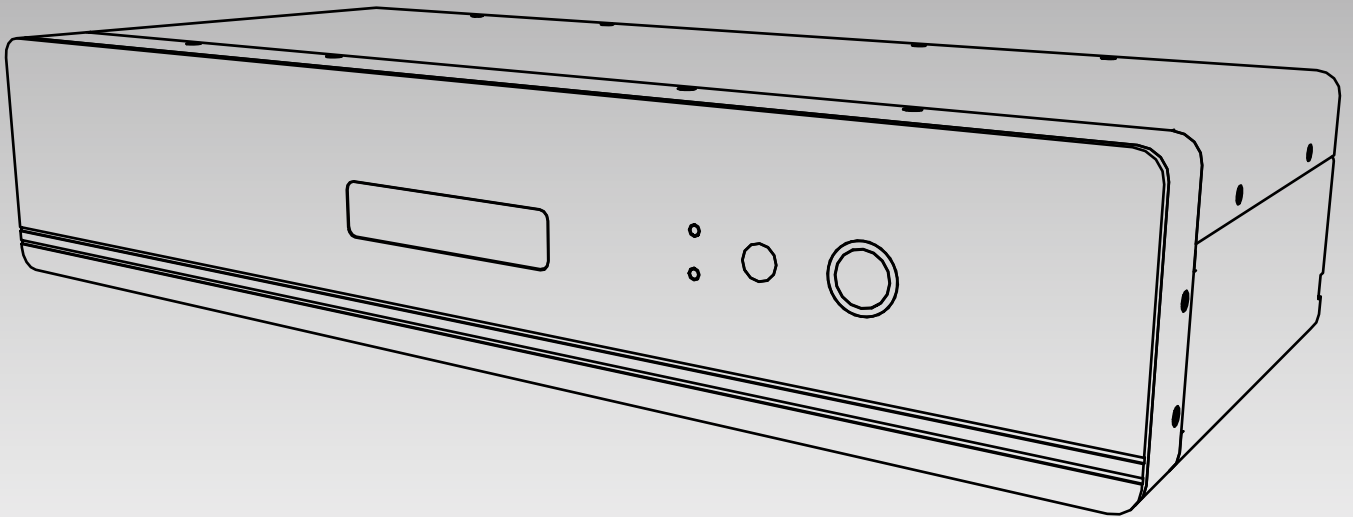




PS 15

Quick Start Guide

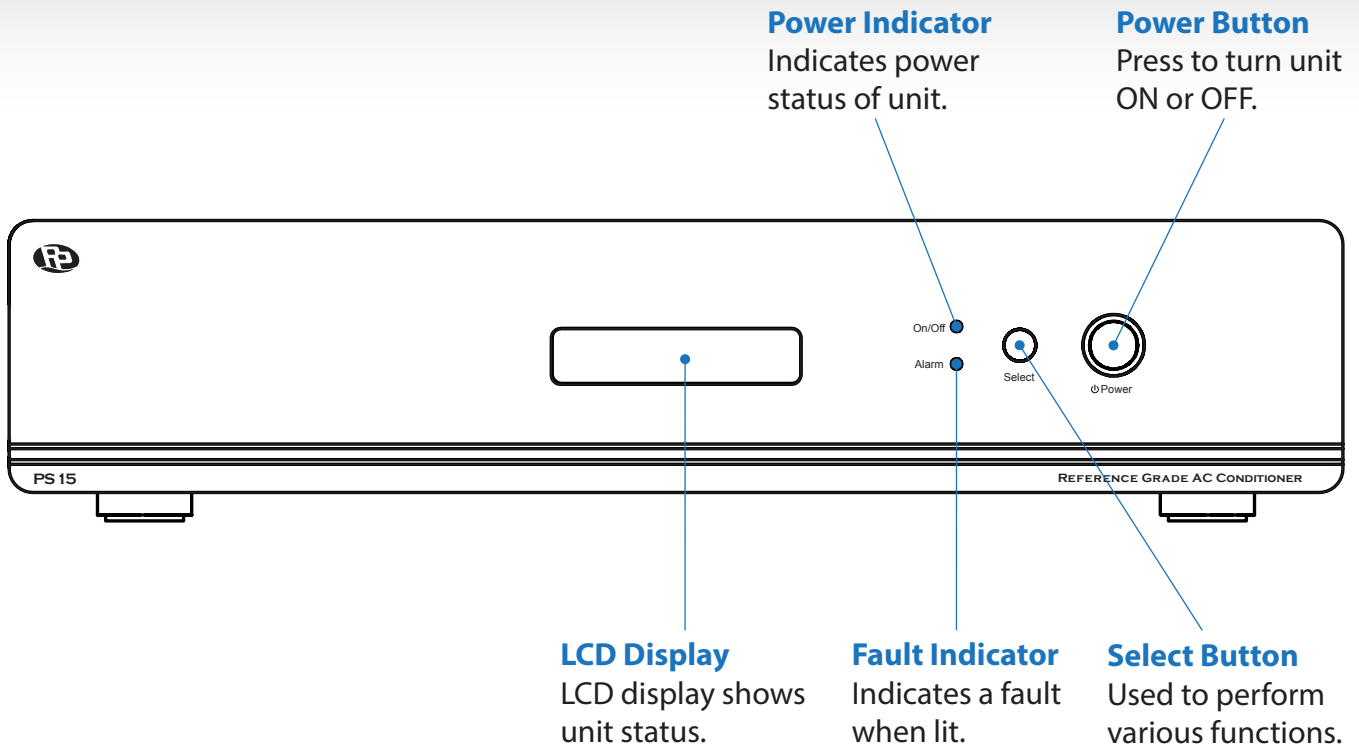


PS 15

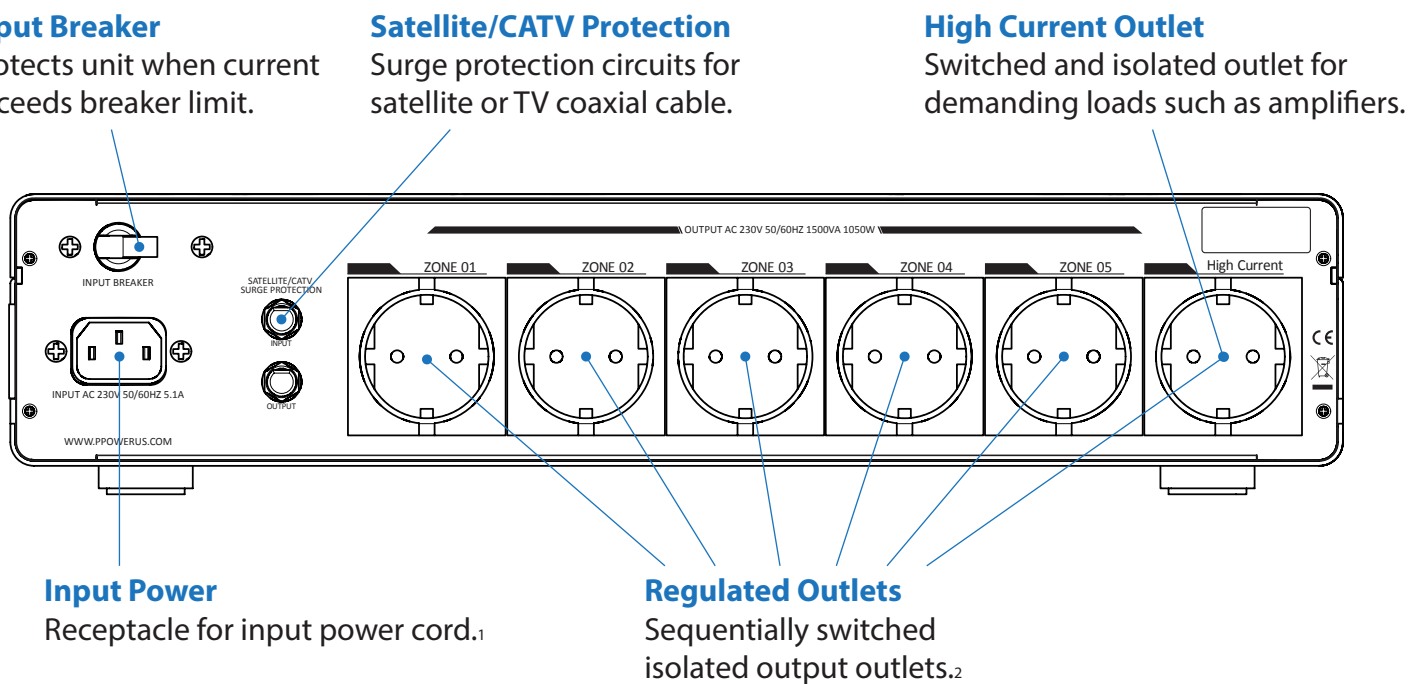
Quick Start Guide



FRONT PANEL



BACK PANEL



1. The model shown in the image is the 230V / 50Hz version. Other version not shown here: 120V / 60Hz.
2. The model shown in the image is the shuko version. Other versions not shown here: NEMA (4 Zones), UK (6 Zones), AUS (6 Zones).

PS 15

Quick Start Guide



Operation Guide - Powering On

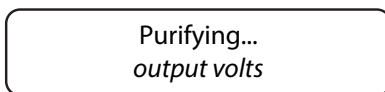
1. Confirm **INPUT BREAKER** is in the "OFF" position. By default, it should be "OFF".
2. Plug power cord into the **INPUT POWER** socket.
3. Plug in audio equipment such as CD player, pre-amp, and power amplifier into the rear outlets.
4. Switch **INPUT BREAKER** to the "ON" position.
5. **LCD DISPLAY** should now display model name, followed by standby status screen.



6. Press **POWER BUTTON** to turn unit on.
7. Unit will sequentially switch on the output outlets starting from **Zone 1** to **Zone 5**, then **HIGH CURRENT**.³



8. After all zones has been switched on, LCD displays output status.



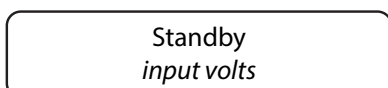
9. Enjoy the pure sound from your audio equipment!

Operation Guide - Powering Off

1. Press **POWER BUTTON** while unit is on to turn it off.
2. Unit will sequentially switch off the output outlets starting from **HIGH CURRENT**, then from **Zone 5** to **Zone 1**.³



3. After switching off, the unit will be in standby mode, indicated by **LCD DISPLAY**.



4. Switch **INPUT BREAKER** to the "OFF" position.

³. Number of zones vary depending on the output receptacle type: Shuko/UK/AUS (6 Zones), NEMA (4 Zones).

PS 15

Quick Start Guide



Operation Guide - Turning Off LCD Display

1. Press the **SELECT BUTTON** to toggle between two lighting modes. In the default mode, the **LCD DISPLAY** is turned on and the light around the **POWER BUTTON** is at full brightness. In the second mode, the **LCD DISPLAY** is turned off and the light around the **POWER BUTTON** is dimmed.